

# Preheater Eco Start

The ECO START is a complete coolant preheater with forced circulation, easy to install on a big variety of small engines.

### Applications

Generators sets, diesel engines, safety, marine, heavy equipment...

### The best of technology

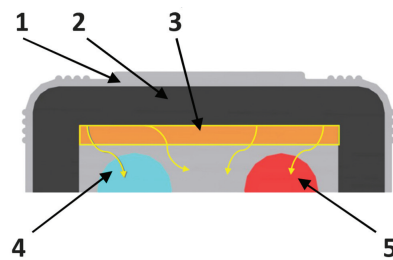
Self-regulating heating elements. Dry operation, without insulation breakdown hazard. No direct contact between fluid and heating elements. Withstands insulation tests in cold or hot conditions.

### Specifications

Pump ITT-LOWARA ECO-B-15-1/65 (electronic switching motor). Very low consumption: 14 watts for a 600 L/h (158.5 gal/h flow rate). Built-in overheat and dry-operation safety device. Vertical or horizontal position.

- 100-240 Volts 50/60 Hz power supply
- Aluminum heating body

- Manual bleed valve
- Protective cover and internal insulation to further increase efficiency
- Safety thermostat

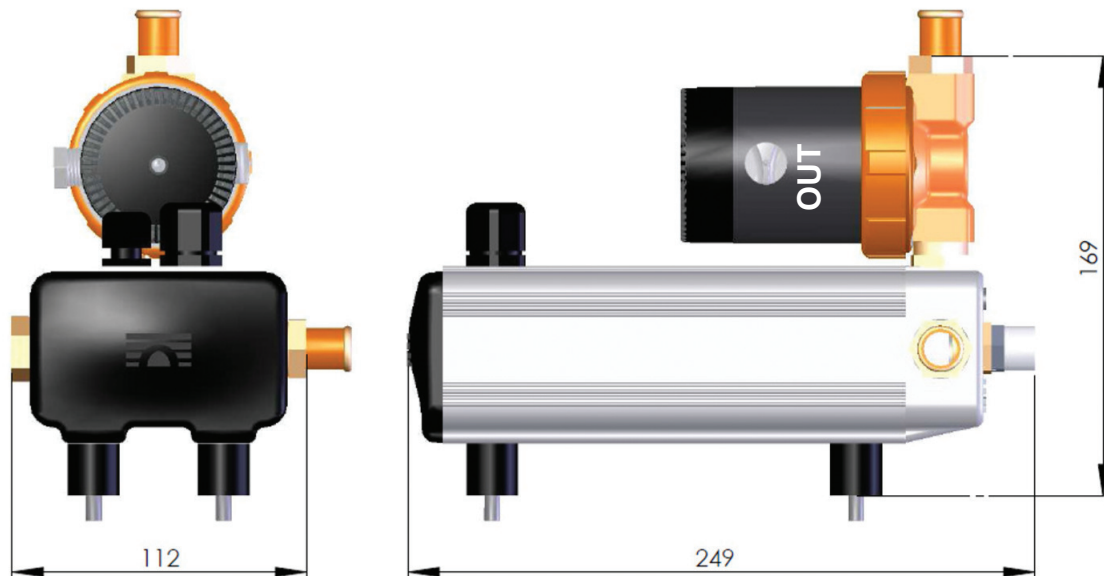


Cross-section view :

1. Aluminum cover
2. Insulation
3. Heating elements
4. Fluid input
5. Fluid output

All the components are certified CE, UL and CSA





Model	Power	Amperage/240 V	Voltage	Frequency
Ecostart 500	500 Watts (*)	2.5 A /240 V	100-240 Volts	50/60 Hz
Ecostart 750	750 Watts (*)	3.5 A /240 V	100-240 Volts	50/60 Hz
Ecostart 1000	1,000 Watts (*)	5 A /240 V	100-240 Volts	50/60 Hz
Ecostart 1500	1,500 Watts (**)	7 A /240 V	100-240 Volts	50/60 Hz
Ecostart 2250	2,250 Watts (**)	10 A /240 V	100-240 Volts	50/60 Hz
Ecostart 3000	3,000 Watts (**)	14 A /240 V	100-240 Volts	50/60 Hz

(\*) Light vehicles, 3 L displacement engine, 10 L (2.6 gal) water capacity up to -15°C min. or 15 L (4 gal.) capacity up to +10°C (50°F) min.  
 (\*\*) With control thermostat.

### Types of engines and validation


Diesel, fuel, LPG engines.  
 Our power simulation software can help confirm your choices...

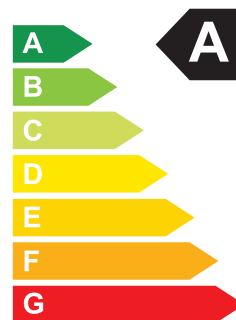
### Energy gain

The output automatically and proportionally decreases when the engine temperature increases, to reach the minimum power required to maintain the engine temperature.

Demp A/S reserves the right to modify the technical specifications contained in this document without notice. No contractual document.

All the components are certified CE, UL and CSA

Energy class 



Pump ITT-LOWARA  
 ECO-B-15-1/65

**DEMP A/S**  
 Industrivej 23  
 DK-4683 Rønnede, Denmark



Phone: +45 3920 5422  
 Mail: [demp@demp.com](mailto:demp@demp.com)  
 Fax: +45 3920 3349