

Appendix IV: Important Operating Instructions

Storage Mounting

It has come to our attention that on some vessels during regular periodic maintenance on the emergency Gen-set, the Startwell stand-by starter types SXC047 and SXCH047 are being tested when fitted on the storage bracket next to the engine.

This is causing serious internal damage to the starter and resulting in premature failure when later used on the engine.



The starter should **NOT** be tested on the storage bracket under any circumstances. The starter may only be operated when properly fitted to the engine.

Any damage caused by this action will not be covered under warranty.
This bulletin does not apply to starters fitted permanently on any engine.

Instructions for 'Dual -Start Engines'

On engines fitted with dual starting system, such as electrical and manual starter, the manual starter must not remain engaged with Flywheel when starting with the electric starter. Or when the engine starts automatically with electrical starter (such as on a ships emergency generator)

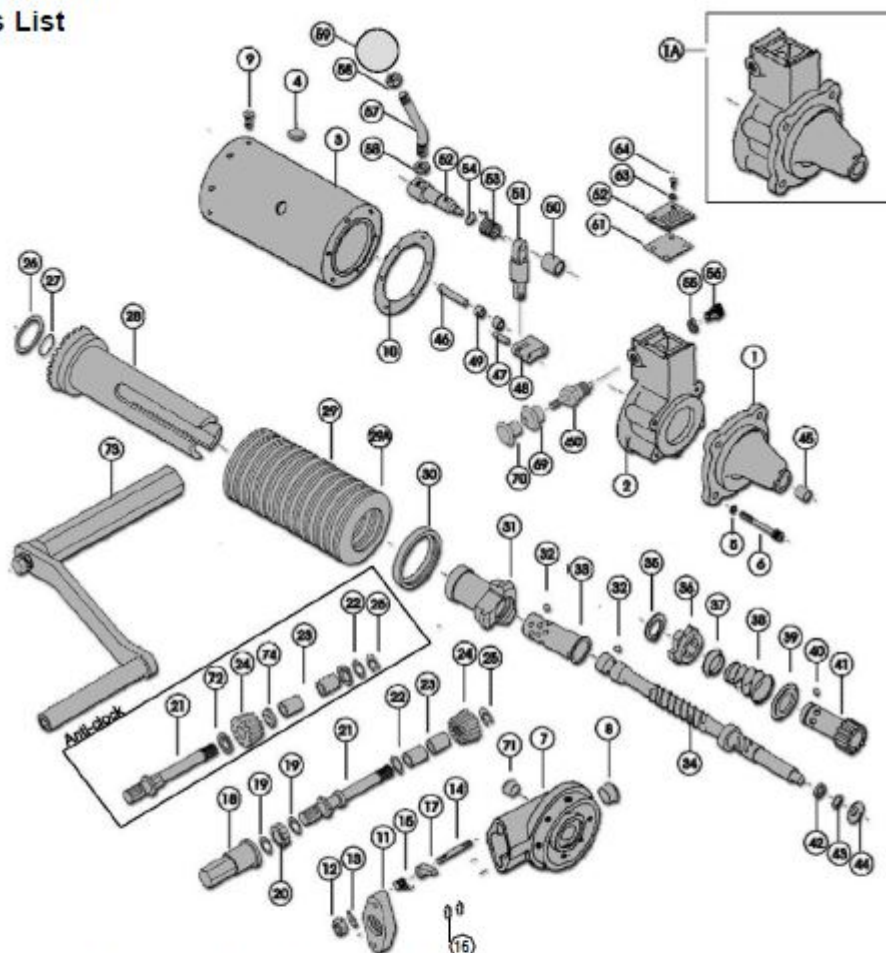
To ensure the starter is not engaged, leave the **trip-lever** in the **trip position** when the starter is not in use. This will ensure that the starter pinion is not engaged with the engine flywheel



Failure to follow this action may damage the Starter.
Any damage caused by this action will not be covered under warranty.

Spare parts:

Appendix III
Parts List



- | | | | |
|----------------------|---------------------|--------------------------|-----------------------|
| 1. Mounting Flange | 18 Input Adaptor | 36. Drive Ratchet | 56. Lock Stop |
| 1A. Mounting Bracket | 19. Friction Washer | 37. Spring Locating Disc | 57. Release Lever |
| 2. Lock Housing | 20. Input Ratchet | 38. Return Spring | 58. Lock Nut |
| 3. Body | 21. Input Shaft | 39. Spring Locator | 59. Hand Grip |
| 4. Window | 22. Thrust Washer | 40. Ball Bearing | 60. Reset Assembly |
| 5. Washer | 23. Bush | 41. Drive Pinion | 61. Gasket |
| 6. Screw | 24. Input Gear | 42. Thrust Washer 43,44 | 62. Cover Plate |
| 7. Rear Housing | 25. E-Clip | 45. Bush | 63. Spring Washer |
| 8. Plug | 26. Shim | 46. Swivel Pin | 64. Screw 65,66,67,68 |
| 9. Screw | 27. 'O' Ring | 47. Lock Pin | 69. Bellows |
| 10. Shim | 28. Drive Gear | 48. Lock | 70. Hand Grip |
| 11. Support Plate | 29. Drive Spring | 49. Bush | 71. Rear Plug |
| 12. Nut | 30. Drive Ring | 50. Bush | 72. Distance Collar |
| 13. Lock Washer | 31. Drive Nut | 51. Link Assembly | 73. Cranking Handle |
| 14. Stud | 32. Ball Bearing | 52. Release Shaft | 74. Distance Piece |
| 15. Catch Spring | 33. Cage | 53. Return Spring | |
| 16. 'O' Rings | 34. Drive Shaft | 54. 'O' Ring | |
| 17. Catch | 35. Circlip | 55. Lock Washer | |